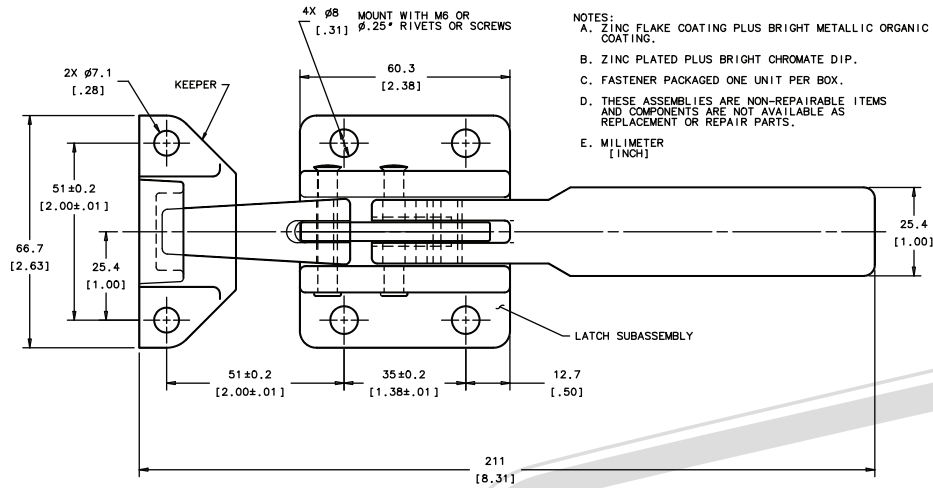
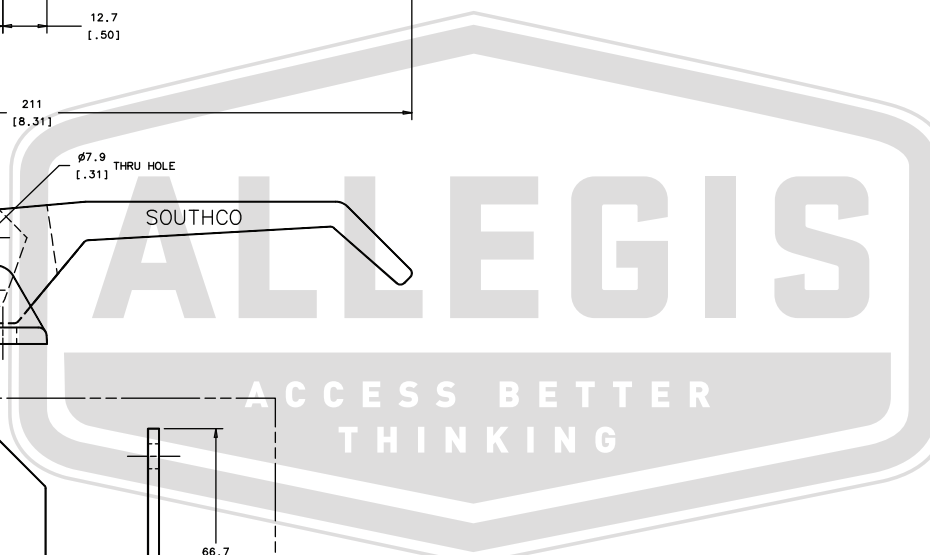
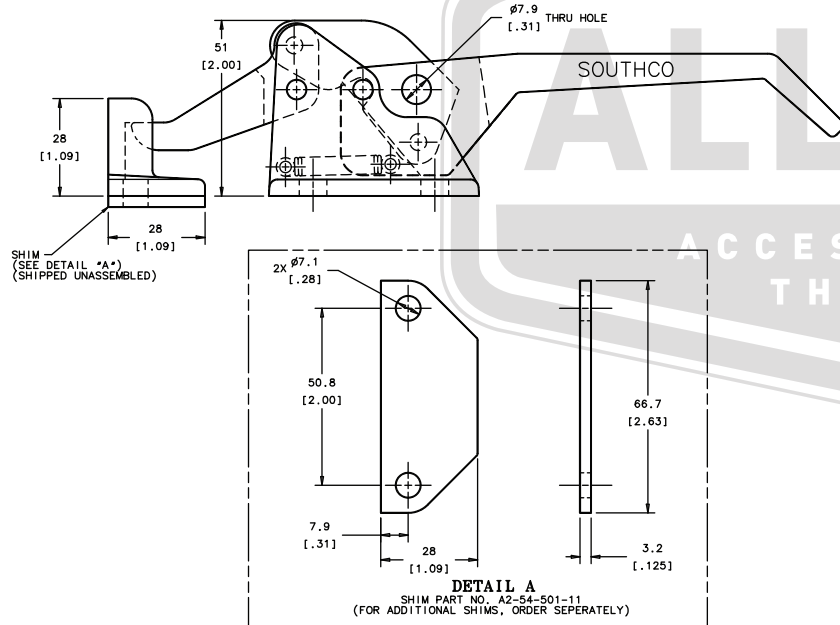


APPROVAL - CUSTOMER NAME & SIGNATURE

DATE



- NOTES:
- A. ZINC FLAKE COATING PLUS BRIGHT METALLIC ORGANIC COATING.
  - B. ZINC PLATED PLUS BRIGHT CHROMATE DIP.
  - C. FASTENER PACKAGED ONE UNIT PER BOX.
  - D. THESE ASSEMBLIES ARE NON-REPAIRABLE ITEMS AND COMPONENTS ARE NOT AVAILABLE AS REPLACEMENT OR REPAIR PARTS.
  - E. MILLIMETER [INCH]



REV	DATE	DRAWN/CHKD	DESCRIPTION	ITEM	COMPONENT	PART NO.	MATERIAL	FINISH
Q	30JUN93	JGK	PRN: A2-42	ASSEMBLY		A2-10-501-10		
P	22JUN99	JDK/CHW	PRN: A2-54A	LATCH ASSEMBLY				
Q	20SEP2000	FJB/JSS	PRN: A2-55		BASE		MALLEABLE IRON	SEE NOTE A
R	02JAN2003	VNI/DLH	PRN: P2002-0104		LEVER		MALLEABLE IRON	SEE NOTE A
S	12APR2005	BRP/RLR	PRN: P2005-0594		PANEL		MALLEABLE IRON	SEE NOTE A
T	04JAN2011	ACH	PRN: P2010-1212		LINKS		1065 STEEL	SEE NOTE A
					SPRING		302 STAINLESS STEEL	PASSIVATED
					LINK PIN		1215 STEEL	SEE NOTE B
					OTHER PINS		302 STAINLESS STEEL	PASSIVATED
					KEEPER		MALLEABLE IRON	SEE NOTE A
					SHIM		1010 STEEL	SEE NOTE A

<b>ALLEGIS</b>	1-866-378-7550
MATERIAL:	DRAWING NO. :
	A2-10-501-10
FINISH:	
Zinc Immersion Coating	
REV.:	DATE:
1:1	5/29/2019